

NKX10-TV-XL

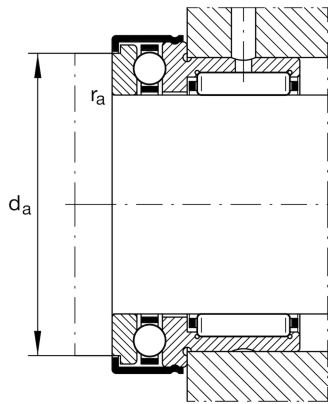
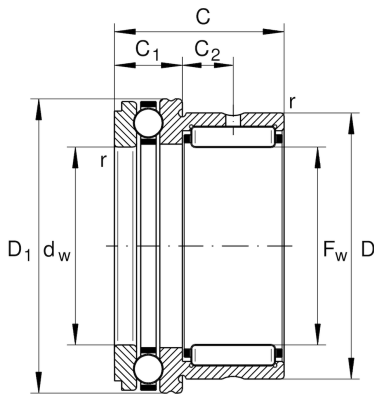
Needle roller/axial ball bearing

Schaeffler ID:
0506044730000

Needle roller/axial ball bearings NKX, axial component, single direction, to DIN 5429, without end cap, for oil lubrication

X-life

Technical information



Main Dimensions & Performance Data

F_w	10 mm	Bore diameter
D	19 mm	Outside diameter
C	23 mm	Height
C_r	7,000 N	Basic dynamic load rating, radial
C_{0r}	7,800 N	Basic static load rating, radial
C_a	10,000 N	Basic dynamic load rating, axial
C_{0a}	14,000 N	Basic static load rating, axial
C_{ur}	1,330 N	Fatigue load limit, radial
C_{ua}	690 N	Fatigue load limit, axial
n_G	12,400 1/min	Limiting speed
	35.87 g	Weight

Dimensions

$D_{1\max}$	24.1 mm	Maximum outside diameter flange
	IR7X10X16-XL	Suitable inner rings IR
$D_{2\max}$	24.1 mm	Maximum outside diameter flange
C_1	9 mm	Width of the axial bearing component
C_1	6.5 mm	Distance to lubrication hole
C_2	6.5 mm	Distance to lubrication hole
d_w	10 mm	Bore diameter of shaft washer
r_{\min}	0.3 mm	Minimum chamfer dimension

Mounting dimensions

d_a	19.7 mm	Mounting dimension shaft shoulder
$r_{a\max}$	0.3 mm	Maximum recess radius

Temperature range

T_{\min}	-20 °C	Operating temperature min.
T_{\max}	120 °C	Operating temperature max.